

through the relevant holes in the front of the call point. The cassette and glass will need to be removed to facilitate fixing.

Surface Installations

A choice of Plastic or metal mounting boxes is available. The pack box for the plastic box has a tear off template for locating cable entry holes. The metal box has pre drilled 20mm diameter holes suitable for cable glands or conduit. Fixing is via the two M3.5 x 30mm screws (provided in the installation pack) through the relevant holes in the front of the call point. The cassette and glass will need to be removed to facilitate fixing. It is important that the metal box is protected from impact and friction when installed.

Fitting to other boxes

A range of mounting accessories is available to suit specific needs.

IMPORTANT NOTE: PLEASE DO NOT OVER TIGHTEN FIXING SCREWS

COSHH - Glass

Care must be taken when removing broken glass from the call point. An adhesive Vinyl label fitted to the front of the glass should keep glass fragments together but there is a small risk that glass shards may be present.

INSTALLATION CONSIDERATIONS

The call points should be installed in a position where they will not be subjected to mechanical stresses, and where the temperature is within the Operating Temperature range.

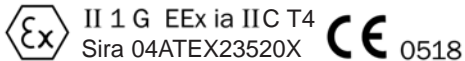
Areas where there are, or are likely to be, aggressive substances should be avoided. Details of the materials used in the construction of the call point and likely harmful substances can be obtained from the manufacturer at the address below.

MAINTENANCE

Apart from regular testing of the call point (see diagrams above), as part of the scheduled maintenance of the fire alarm system, no additional maintenance is required.

IMPORTANT NOTICES

These call points carry the following approvals:



They are designed and manufactured to protect against other hazards as defined in paragraph 1.2.7 of Annex II of the ATEX Directive 94/9/EC

They are intended for indoor use within Intrinsically Safe(I.S.) Systems utilising suitable Zener Barriers. To reduce the risk of a static electricity hazard, these call

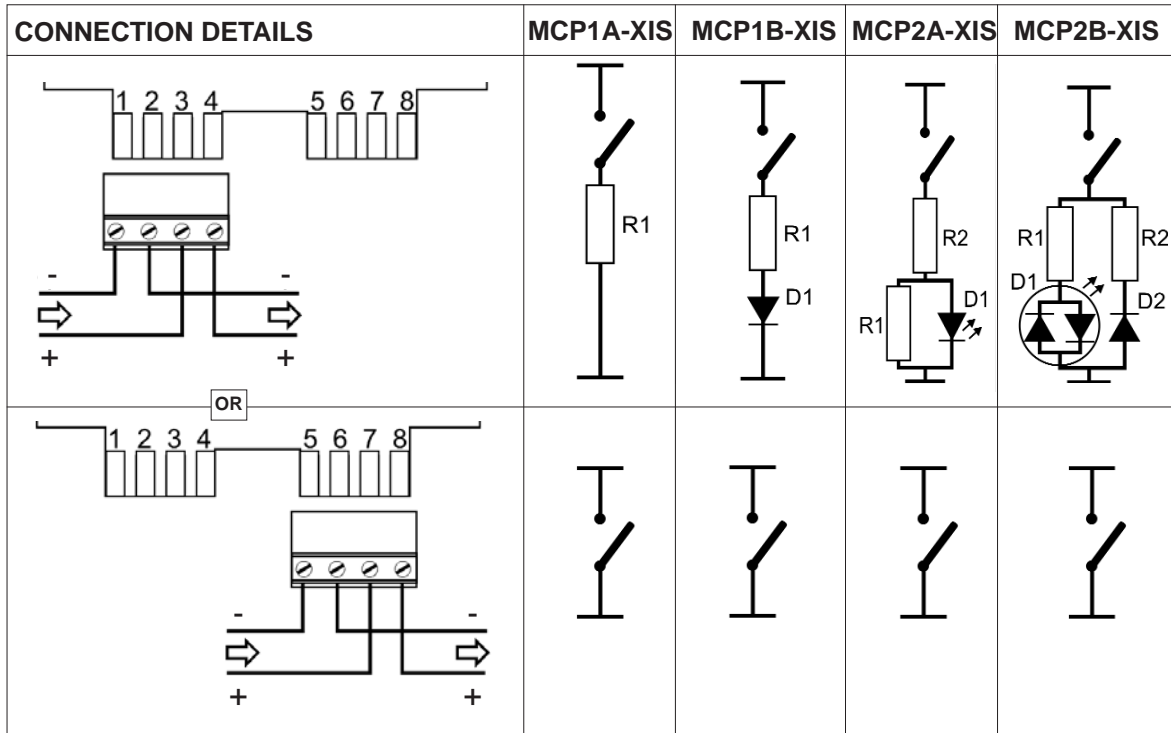
points must only be cleaned with a damp cloth.

These call points must not be modified in any way as doing so may invalidate the Certification and may compromise the safety of the product.

METHODS OF FIXING

Flush Installations

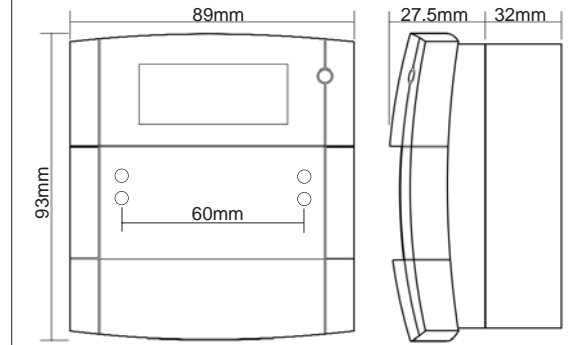
The call point fits directly onto a U.K. switch/socket box. A minimum depth of 25mm is required. Fixing is via the two M3.5 x 30mm screws (provided in the installation pack)



X in the MCP code (left) represents the final digits of the part number, which indicate MCP colour, component values, mounting options and element type.

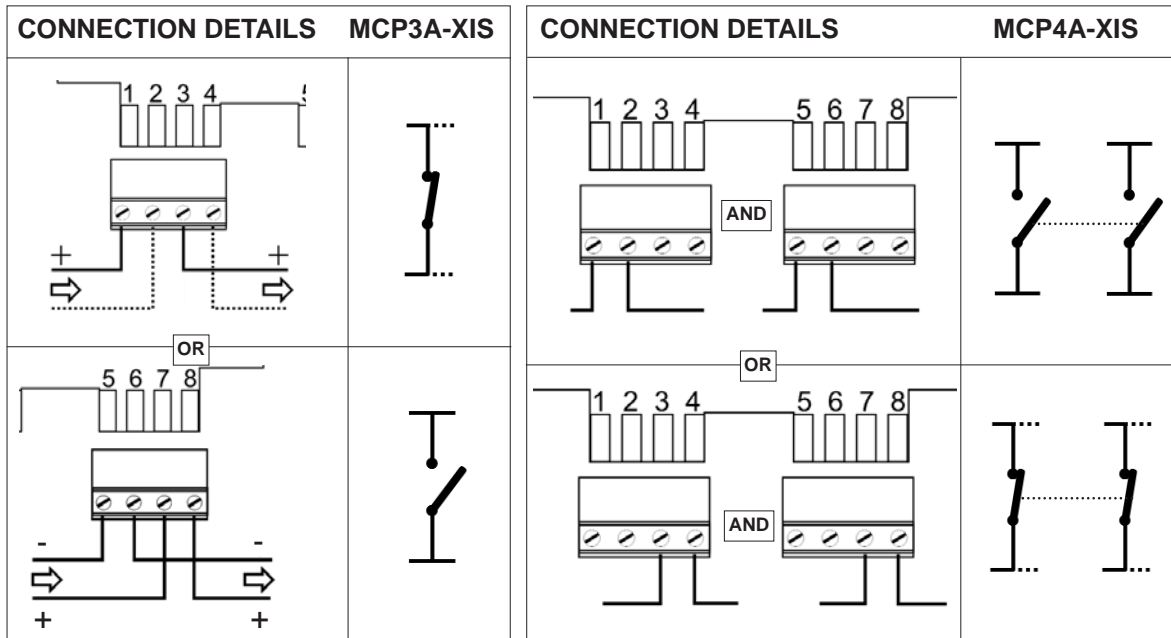
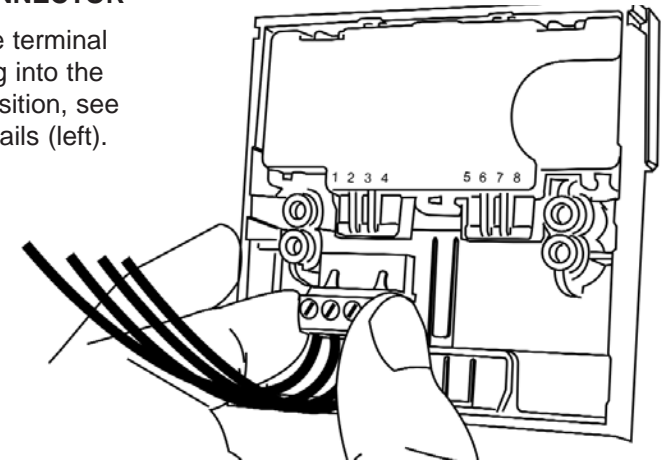
eg MCP1A -R470SFIS
II
(MCP1A, Red*, 470R, Surface, Flexible Element Intrinsically safe)

DIMENSIONS



PUSH FIT CONNECTOR

After wiring the terminal connector, plug into the appropriate position, see connection details (left).



TECHNICAL DATA



110/160g



IP24D



-10°C to 55°C



Ii = 500mA



* R=Red, Ral 3001
Y=Yellow, Ral 1006
G=Green, Ral 6016
W=White, Ral 9010
B=Blue, Ral 5002



Ui = 30V



Pi = 1W

These ratings must not be exceeded