

S-Sight

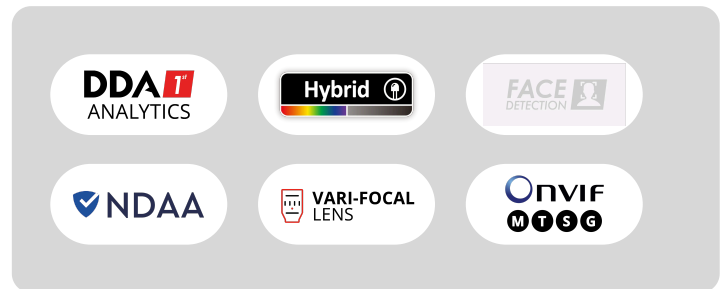
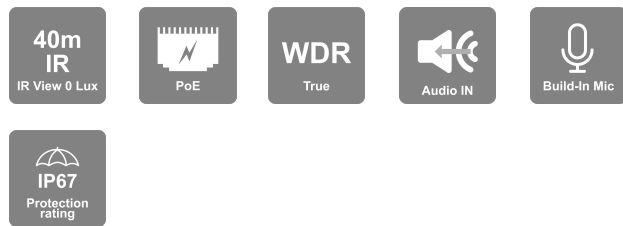
This series simplifies surveillance with high-quality images and enhanced night vision capabilities. Powered by AI (DDA™ Video Analytics) and equipped with Check Point protection for comprehensive monitoring. Choose from rainbow cameras, Motorized Varifocal options, and Anti-Vandal designs for high-security areas.



BMH-320IPSN-VF

2MP Vari-Focal Lens Bullet Camera with Hybrid LED and DDA1 Analytics

Equipped with a 2.8-12mm Vari-Focal lens, this 2MP Bullet camera is designed for long-distance surveillance (up to 40m) in indoor and outdoor scenarios. With its hybrid capability, the white LED will enlighten the scene when humans being detected for full color image even in dark scenarios. The camera offers outstanding DDA Analytics (Detect, Distinguish, Alert), which can perform human and vehicle recognition. With various detection rules and triggers. This model complies with NDAA demands and ensures your device is cyber-protected round the clock with the integrated Check Point Quantum IoT Nano agent that provides an advanced threat prevention layer against the common attack vectors at runtime. With its outstanding performance, reliability, and affordable price, the BMH-320IPSN-VF camera is the perfect solution for any simple IP installation.



MAIN FEATURES

- BMH-320IPSN-VF 2MP Vari-Focal Lens Bullet Camera with Hybrid LED and DDA1 Analytics
- Sensor: 1/2.8" CMOS (16:9)
- Resolution: 1920×1080 25/30FPS (2MP)
- Lens: 2.8-12mm VF (102°-33°) ICR + 24/7 Full-Color Day Mode
- Illumination: 40m (2 High-Power IR LED) 30m (1 High-Power White LED)
- Compression: H.265+ / H.264+ / H.265 / H.264 / MJPEG
- Quantum IoT Nano agent by Check Point™
- General Analytics: Item Monitoring, Camera Tampering
- Human & Vehicle Recognition: Sterile Area, Line Crossing
- True WDR (120dB), BLC, HLC, ROI
- SD Card: Event/Schedule Record (Up to 256GB)
- Built-in Microphone + Audio input
- ONVIF: Profile M/T/S/G
- Water Proof: IP67
- Weight: ~750g
- Power: DC12V/~600mA / PoE/~8.5W



<https://za.provision-isr.com>

SPECIFICATIONS

3rd Party Cyber Protection	
General	Quantum IoT Nano agent by Check Point™
Protection Methods	Shell injection protection, File Monitor, Import-Table Protection, Dynamic-Memory Protection
NDAA Compliant	
NDAA Compliant	Yes
Video	
Image Sensor	1/2.8" CMOS (16:9)
Effective Pixels	1920x1080
Electronic Shutter	1/3s ~ 1/100000s
Day & Night	ICR + 24/7 Full-Color Day Mode
Min. Illumination	Day: 0.1lux / Night: 0.006lux (@F1.6, AGC on) 0lux with IR on
Audio	
Audio compression	G.711A/G.711U
Communication	One-Way Audio
Image	
Image Settings	AWB, AGC Adjustable, Exposure Mode (Auto) Sharpness, Saturation, Brightness & Contrast Adjustable
Image Enhancement	True WDR (120dB), BLC, HLC, ROI
Noise Reduction	3D-DNR
Image Orientation	Mirror/Flip, Corridor Mode
Privacy Zone	Yes
Events and Analytics	
Analytics	General Analytics: Item Monitoring, Camera Tampering Human & Vehicle Recognition: Sterile Area, Line Crossing
Motion Detection	Yes
Compression	

Resolution	2MP (1920x1080) / D1 (704x576) / VGA (640x480), QVGA (480x240) / CIF (352x288)
Frame Rate	1-25/30FPS
Video Compression	H.265+ / H.264+ / H.265 / H.264 / MJPEG**
Multi-Stream	Master Stream: 2MP (1920x1080) / 1MP (1280x720) (1~30fps) Sub-Stream: VGA/D1/CIF Third Stream: QVGA/D1/CIF (1~30fps)
Bit Rate	64Kbps ~ 4Mbps@H.265 / 128Kbps ~ 6Mbps@H.264
Encode Mode	VBR/CBR
Image Quality	Five levels under VBR; Free adjustment under CBR

Lens	
Lens (Field of View)	2.8-12mm VF (102°-33°)
Iris	Fixed Iris
Lens Mount	Ø14 Mount
Detect	2.8~12mm(W): 43m(142ft) - 2.8~12mm(T): 132m(433ft)
Recognize	2.8~12mm(W): 9m(28ft) - 2.8~12mm(T): 26m(86ft)
Identify	2.8~12mm(W): 4m(14ft) - 2.8~12mm(T): 13m(43ft)

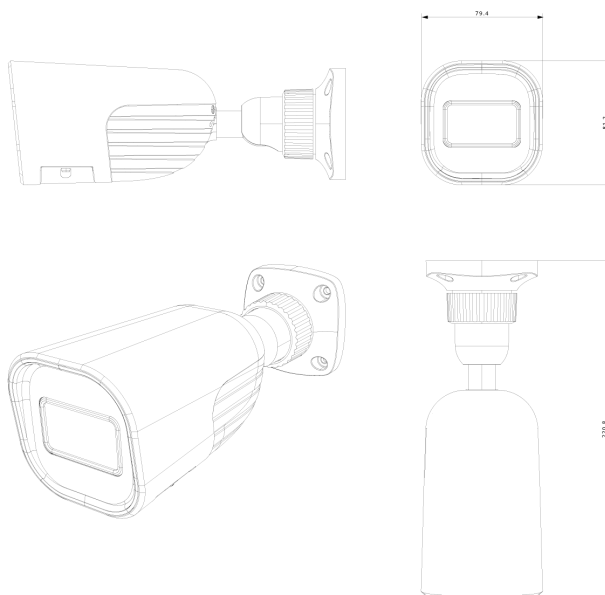
Network	
User Access	Supports simultaneous monitoring of up to 4 users with multi-stream real-time transmission
Network Protocol	IPv4, IPv6, TCP, UDP, DHCP, NTP, DDNS, SNMP, 802.1X, RTSP, RTMP, UPnP, Email, FTP, HTTP POST, HTTPS, QoS, Auto Report, P2P
Remote Monitoring	IE Browsing, VMS Software, Provision Cam2 Mobile App
Ethernet	100Mbps
ONVIF	Profile M/T/S/G

Connectivity	
Network	RJ45 (+PoE)
Audio Connectivity	Built-in Microphone + Audio input

Alarm	No
SD Card	Event/Schedule based Main/Substream recording (Up to 256GB)
Wiegand	N/A
Power	DC Socket
Analog Video Output	No

Housing	
PoE	Yes
Illumination	40m (2 High-Power IR LED) 30m (1 High-Power White LED)
Power Supply	DC12V/~600mA / PoE/~8.5W
Protection Rate	Water Proof: IP67
Work Environment	-30°C~60°C, 10%~90% Humidity
Bracket	3-Axis Bracket
Dimensions	220.8x79.4x81.2mm
Weight (gross)	~750g
Hard Reset Button	Yes

DIMENSIONS



ACCESSORIES

